

Sensors



Level sensors

Proximity sensors

Tailor-made products

Located in the south of Paris, SICCOM manufactures and markets detection components for many sectors of activity such as air conditioning, medical, automotive, household appliances, chemistry/parachimy, food...

Founded in 1979, SICCOM has a technological experience that allows it to meet all your detector needs, both in integration and distribution.

SICCOM's expansion has led it to open plants in Madagascar and China, as well as sales offices in Milan, Barcelona and New Delhi, beyond its headquarters in Ile-de-France.



Factory (Madagascar)



Headquarter (France)



Factory (China)

Our quality commitment

SICCOM attaches great importance to the quality of its products. The desire for increased customer satisfaction is the basis for the continuous improvement actions implemented.

SICCOM uses a quality system based on the search for the performance and efficiency of its processes. This implies the appropriation of permanent progress by all the actors of the company and its factories.

Each SICCOM product is controlled at different stages of its production. Functional tests, component control, laboratory tests, endurance test benches: the means used are equal to the quality challenges.

All our sites are ISO 9001 certified.

All SICCOM products subject to the requirements of the European directives are subject to additional checks in order to give them the right to free movement throughout the European Economic Area. These products carry the CE marking, an additional guarantee of safety. Others are UL - CSA certified for North American countries and EAC for the Commonwealth of Independent States (CIS).



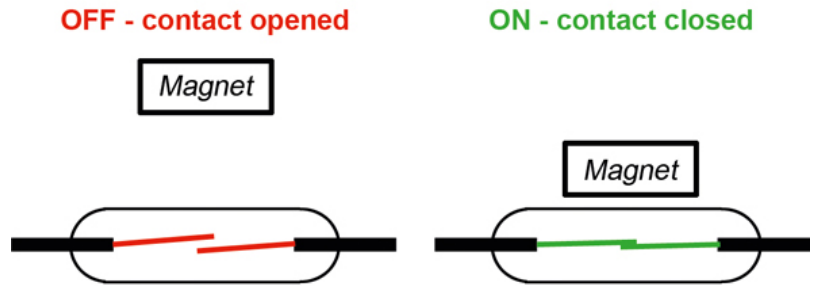
Our profession: detection

SICCOM detection systems are mainly based on the use of the reed switch.

The reed switches consist of two ferromagnetic blades of iron and nickel, sealed in a glass capsule. These blades open or close by introducing a magnetic field in the vicinity of the bulb (magnet or powered coils).



Reed switches are used as magnetic presence sensors because they do not consume energy when there is no magnetism (unlike Hall effect sensors). They can be used as sensors in electronic devices, in cars and as sensors to detect the closing or opening of doors and covers (safety). They can also be used as limit switches for cylinders. They are used for their durability and reliability.

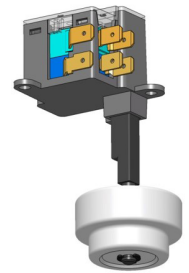


To meet the broad needs of our customers, SICCOM also offers other types of detection technologies. Thus, the Divar probe opts for detection using the resistivity of the liquid. The Syrus level detector uses a microswitch detection system.

Find more information on the product pages.

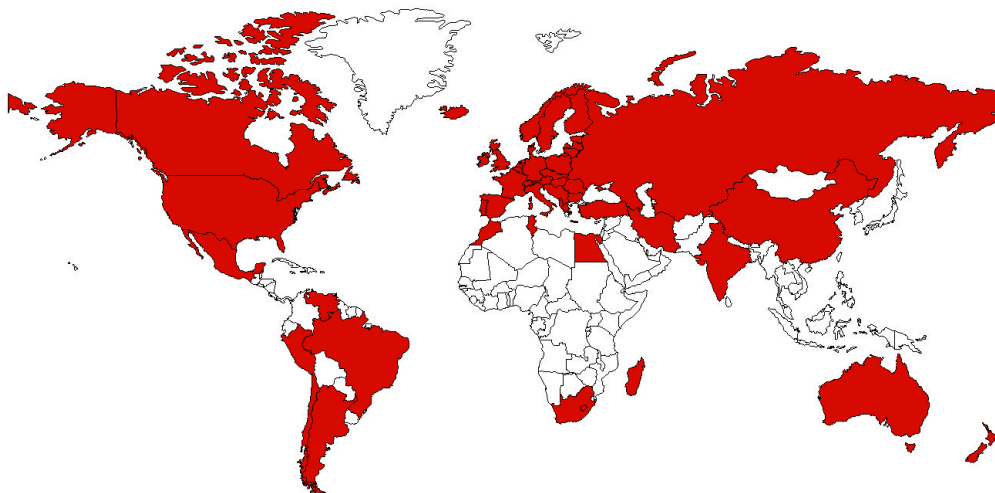


Divar probes
(Resistive detection)



Syrus detector
(microswitches)

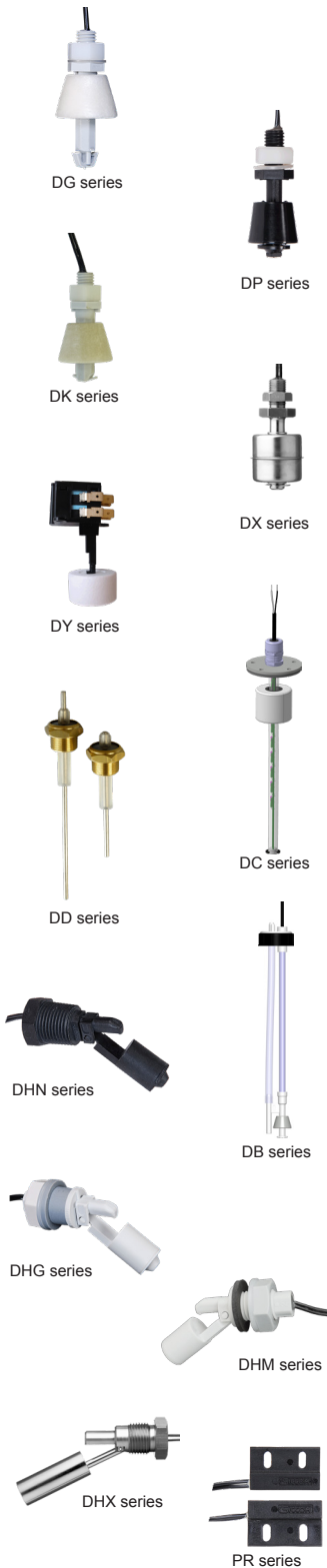
SICCOM in the world





























SICCOM is a partner of manufacturers and distributors in more than 50 countries

Sensors

Contents



Applications			Page
 Multi-purpose	 Food	 Hydrocarbons	

Vertical sensors			
DG series - Standard			5
DP series - Compact			6
DK series			7
DX series - Stainless steel			 8
DY series - Detection by microswitches			9
DC series - Multi-level resistive rod			10
DD series - Resistive probe			11
DB series - Suction cane with level detector			12
Horizontal sensors			
DHN series - Threaded fixing			 13
DHG series - Seal compression fixing			 14
DHM series - Nut fixing			15
DHX series - Stainless steel			 16
Other sensors			
PR series - Proximity sensors			 17



Applications



Multi-purpose



Food

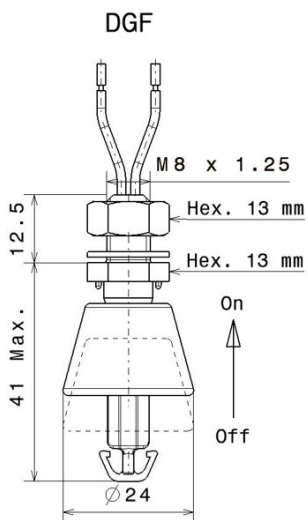


Hydrocarbons

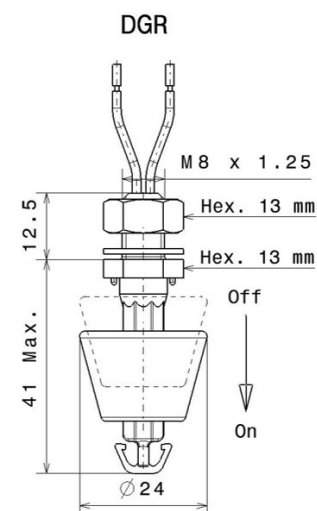
This polypropylene level switch supplied with nut and sealing washer is fixed from the inside of the tank. With a small footprint, only 53 mm long, it is perfectly suited for applications in water up to 80°C.

The position of the float on the body allows the direction of the contact to be reversed (to be determined when ordering).

It can be reversed for installation at the bottom of the tank. The mounting orientation then determines the detection (high or low level).



General features	DGRHTF2410	DGFHTF2540
Body material	Polypropylene	Polypropylene
Float material	Polypropylene	Polypropylene
Seal material	Silicone	Silicone
Nut material	Nylon	Nylon
Cable material	PVC	PVC
Cable cross section	0,34 mm ² - 500 mm	0,34 mm ² - 500 mm
Operating temperature (in water)	0 to 80°C	0 to 80°C
Contact closed	Stop side	Nut side
Applications	Multi-purpose	Multi-purpose



Electrical features of the contact	
Electrical power max.	30 W
Electrical voltage (AC) max.	250 V
Electrical voltage (DC) max.	200 V
Current max.	1 A

Installation instructions

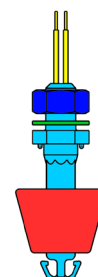
- Mounting from inside the tank
- Drilling diameter: Ø8,5 mm
- Wall thickness: to 4 mm
- Fastening: Seal and nut M8
- Tightening torque: 0,6 Nm

A tailor-made request?

Our design office and our sales department are able to offer you an optimal solution in answer to your specifications:

material, wire, cable, connector, specific accessory...

Contact us to discuss your project together.

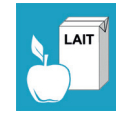




Applications



Multi-purpose



Food

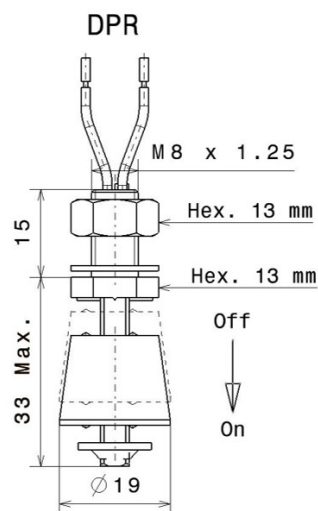
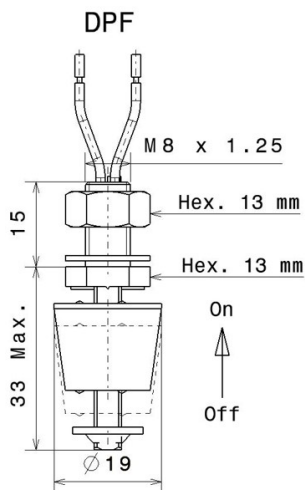


Hydrocarbons

This polypropylene level switch, supplied with nut and sealing washer, is fixed from the inside of the tank. With a small footprint, only 48 mm long, it is perfectly suited for applications in water up to 80°C.

The position of the float on the body allows the contact to be reversed (to be determined when ordering).

It can be reversed for installation at the bottom of the tank. The mounting orientation then determines the detection (high or low level).



General features	DPFHTF9220	DPRHTF9230
Body material	Polypropylene	Polypropylene
Float material	Polypropylene	Polypropylene
Seal material	Silicone	Silicone
Nut material	Nylon	Nylon
Cable material	PVC	PVC
Cable cross section	0,34 mm ² - 500 mm	0,34 mm ² - 500 mm
Operating temperature (in water)	0 to 80°C	0 to 80°C
Contact closed	Nut side	Stop side
Applications	Multi-purpose, Food	Multi-purpose, Food

Electrical features of the contact	
Electrical power max.	30 W
Electrical voltage (AC) max.	250 V
Electrical voltage (DC) max.	200 V
Current max.	1 A

Installation instructions

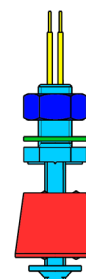
- Mounting from inside the tank
- Drilling diameter: Ø8,5 mm
- Wall thickness: to 6 mm
- Fastening: Seal and nut M8
- Tightening torque: 0,6 Nm

A tailor-made request?

Our design office and our sales department are able to offer you an optimal solution in answer to your specifications:

material, wire, cable, connector, specific accessory...

Contact us to discuss your project together.





Applications



Multi-purpose



Food

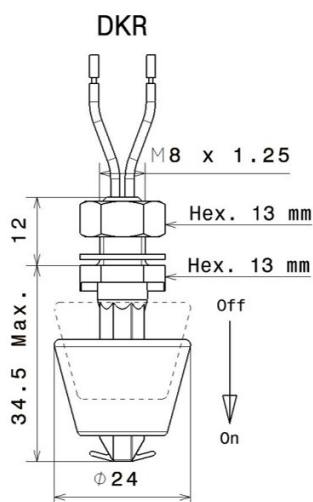
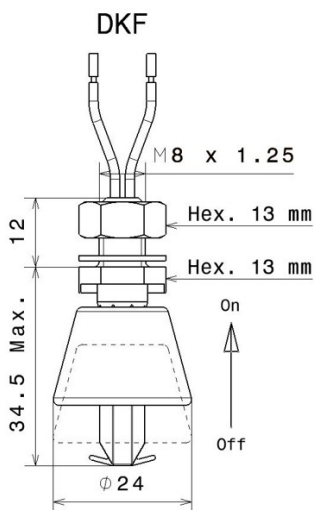


Hydrocarbons

This polyamide/polypropylene level switch, supplied with nut, is fixed from the inside of the tank. With a small footprint, only 47 mm long, it is perfectly suited for applications in water up to 80°C.

The position of the float on the body allows the contact to be reversed (to be determined when ordering).

It can be reversed for installation at the bottom of the tank. The mounting orientation then determines the detection (high or low level).



General features	DKFBTF4600	DKRBTF4620
Body material	Polyamide	Polyamide
Float material	Polypropylene	Polypropylene
Nut material	Nylon	Nylon
Cable material	PVC	PVC
Cable cross section	0,34 mm ² - 570 mm	0,34 mm ² - 570 mm
Operating temperature (in water)	0 to 80°C	0 to 80°C
Contact closed	Nut side	Stop side
Applications	Multi-purpose	Multi-purpose

Electrical features of the contact	
Electrical power max.	10 W
Electrical voltage (AC) max.	140 V
Electrical voltage (DC) max.	200 V
Current max.	0,5 A

Installation instructions

- Mounting from inside the tank
- Drilling diameter: Ø8,5 mm
- Wall thickness: to 4 mm
- Fastening: Seal and nut M8
- Tightening torque: 0,6 Nm

A tailor-made request?

Our design office and our sales department are able to offer you an optimal solution in answer to your specifications:

material, wire, cable, connector, specific accessory...

Contact us to discuss your project together.



Applications



Multi-purpose



Food

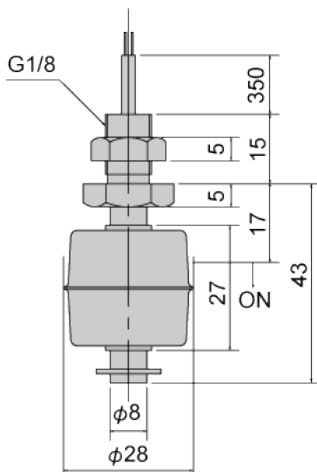


Hydrocarbons

This level sensor, with an overall length of 58 mm, for a maximum float diameter of 28 mm, is used in a vertical position and allows the measurement of the «high» or «low» level of a liquid in a container.

It has a high reliability contact allowing the user to choose a «high» or «low» detection by simply turning the float over. Being made of stainless steel, it can be mounted in pharmaceutical and medical facilities and is resistant to high temperatures.

It can be reversed for installation at the bottom of the tank. The mounting orientation then determines the detection (high or low level).

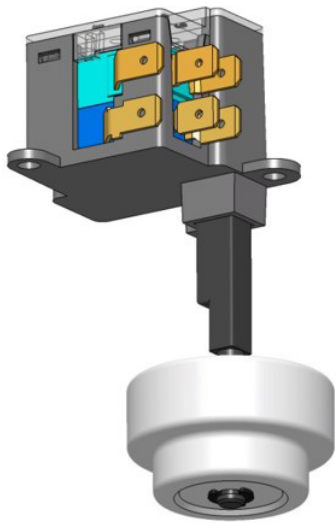


General features	DX1HTFD090
Body material	Stainless steel
Float material	Stainless steel
Nut material	Stainless steel
Cable material	PVC
Cable cross section	0,34 mm ² - 350 mm
Operating temperature (in water)	-40 to 120°C
Contact closed	Stop side / Nut side (by reversing the float)
Applications	Multi-purpose, Food, Hydrocarbons

Electrical features of the contact	
Electrical power max.	50 W
Electrical voltage (AC) max.	300 V
Electrical voltage (DC) max.	300 V
Current max.	0,5 A

Installation instructions

- Mounting from inside the tank
- Drilling diameter: Ø8,5 mm
- Wall thickness: to 6 mm
- Fastening: Nut M8



Applications



Multi-purpose



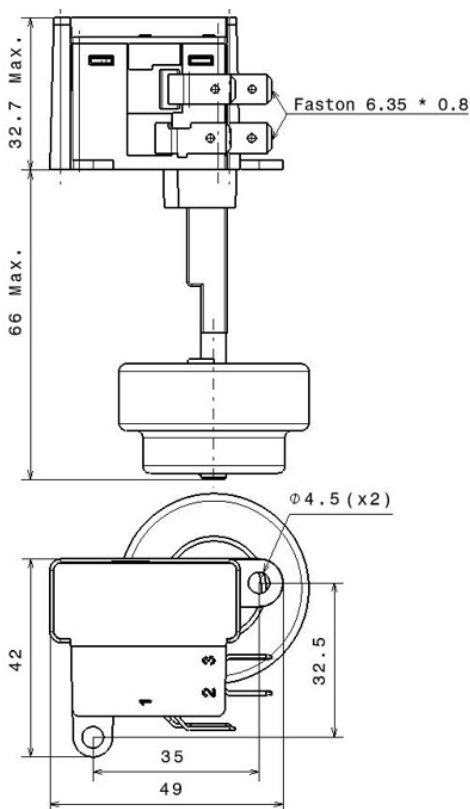
Food



Hydrocarbons

This level sensor, with a space requirement outside the tank of 38 mm long and 32.5 mm wide, is used in a vertical position and allows the measurement of the high level of a liquid in a container. The maximum diameter of the conical float is 45 mm, for a height of 23 mm.

The 2 tops allow two levels of component control, one working contact and one alarm or power failure contact.



General features	DYBB015500
Body material	ABS
Rod material	Polyacetal
Float material	Polystyrene
Cable material	PVC
Operating temperature (in water)	0 to 50°C
Applications	Multi-purpose

Electrical features of the contact	
Electrical voltage (AC) max.	250 V
Current max. (low level)	4 A
Current max. (high level)	3A

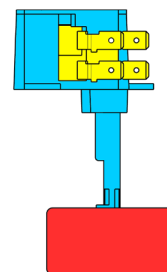
Installation instructions	
<ul style="list-style-type: none"> ○ Fastening with screws or plastic rivets 	
<ul style="list-style-type: none"> ○ Trigger levels available on plan 	
<ul style="list-style-type: none"> ○ Optional / Custom made: <ul style="list-style-type: none"> - Integral protective sleeve made of elastomer - Different rod length - Float dimensions 	

A tailor-made request?

Our design office and our sales department are able to offer you an optimal solution in answer to your specifications:

rod length, float dimensions/form, protection sleeve....

Contact us to discuss your project together.



Applications



Multi-purpose



Food



Hydrocarbons

The multi-level resistive rod allows the continuous reading of a liquid level in a tank. This tank gauge has a tube (rod) diameter of 12 mm and is available in different lengths.

To adapt to your application, a tailor-made design can be studied: length, float, holding system, connector...

It can be used in a vertical position at the top or bottom of a tank depending on the application.

General features	DCEQBT2500	DCERBT2520	DCEPBT3110
Lenght	250 mm	500 mm	1000 mm
Tube material	Polycarbonate	Polycarbonate	Polycarbonate
Float material	Polystyrene	Polystyrene	Polystyrene
Seal material	EPDM	EPDM	EPDM
Cable material	PVC	PVC	PVC
Cable cross section	0,25 mm ²	0,25 mm ²	0,25 mm ²
Operating temperature (in water)	0 to 50°C	0 to 50°C	0 to 50°C
Applications	Multi-purpose	Multi-purpose	Multi-purpose

Electrical features of the contact

Standard voltage	12/24 V
Detection interval	20 mm
Resistance	10 to 180 ohms

Installation instructions

- Mounting plate Ø69 mm with 5 holes Ø6 mm
- Impermeability by EPDM seal on the mounting plate

A tailor-made request?

Our design office and our sales department are able to offer you an optimal solution in answer to your specifications: **length, wire, cable, connector, specific accessory...** Contact us to discuss your project together.



Applications



Multi-purpose



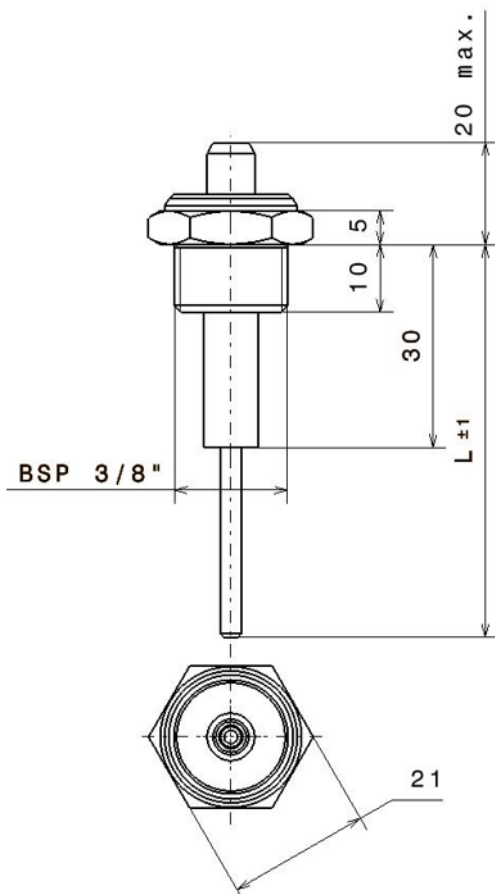
Food



Hydrocarbons

The DD probe, also known as the Divar probe, is a multi-threshold level detector (1, 2 or 3 thresholds) that uses the resistivity of the liquid (from 0.30 mS to 0.55 mS). This probe can be positioned vertically or horizontally (1 threshold) in a metal or plastic tank (under consultation).

We can also provide the electronic management board in 2 versions: one for an AC power supply and another for a DC power supply.



General features

Body material	Silicone
Rod material	Inconel®
Nut material	Brass
Cable material	Silicone sheath + fibreglass
Cable cross section	0,6 mm ² - 300 mm
Operating temperature (in water)	0 to 100°C
Applications	Multi-purpose

Electrical features of the contact

Electrical voltage (DC) max.	6 to 30 V
Current max. (low level)	1,5 to 28 A

Installation instructions

- Mounting by 3/8 BSP cylindrical brass thread
- Grounding by the liquid
- Operating pressure from 5 bar in operation to 10 bar in peak
- Mounting at the top or bottom of the tank

A tailor-made request?

Our design office and our sales department are able to offer you an optimal solution in answer to your specifications:

material, wire, cable, connector, specific accessory...

Contact us to discuss your project together.

DB series - Suction cane with level detector

Applications



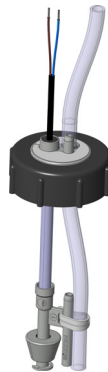
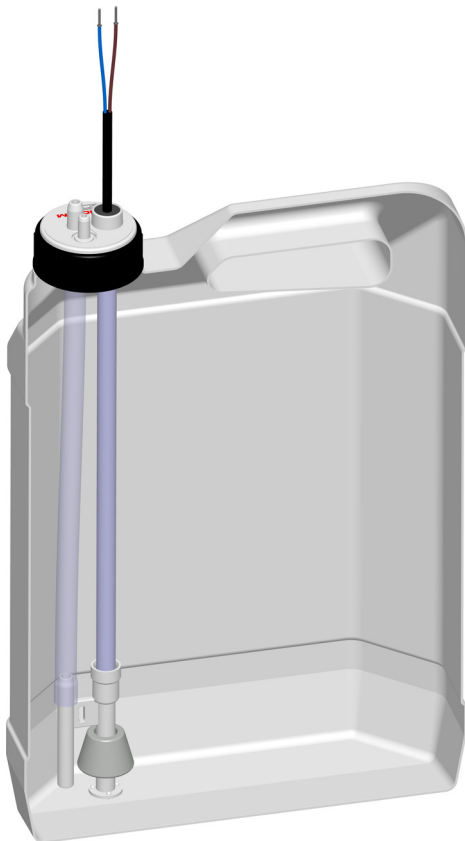
Multi-purpose



Food



Hydrocarbons



The DB sensor is a suction cane with a cap. It is screwed on a container, in place of the existing cap, and will allow, thanks to its sensor, to determine a liquid level (high, intermediate, low). The dry contact will then allow you to relay this level. A double connection to a pump is provided, allowing the suction and/or return in the container.

General features

Float material	Polypropylene
Tube material	PVC
Cap material	Noryl
Cable material	PVC
Cable cross section	0,34 mm ² - 2000 mm
Operating temperature (in water)	5 to 80°C
Applications	Multi-purpose

Electrical features of the contact

Electrical power max.	30 W
Electrical voltage (AC) max.	250 V
Electrical voltage (DC) max.	200 V
Current (resistive) max.	1 A

Installation instructions

- Screw fixing on the container (non-waterproof)
- Suction tube $\varnothing 6$ to 10mm inside
- Check the chemical compatibility with your liquid

A solution adapted to your container

Customization of the following elements:

Cap

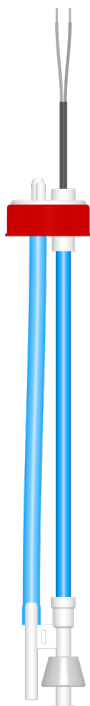
We offer plugs of different diameters, screw threads, depths...

Tubes

All tube lengths are available. This will allow, whatever the depth of the container, to detect the liquid threshold as low as possible.

Whatever its shape and capacity!

(Neck $\varnothing 32$ mm minimum inside diameter)





Applications



Multi-purpose



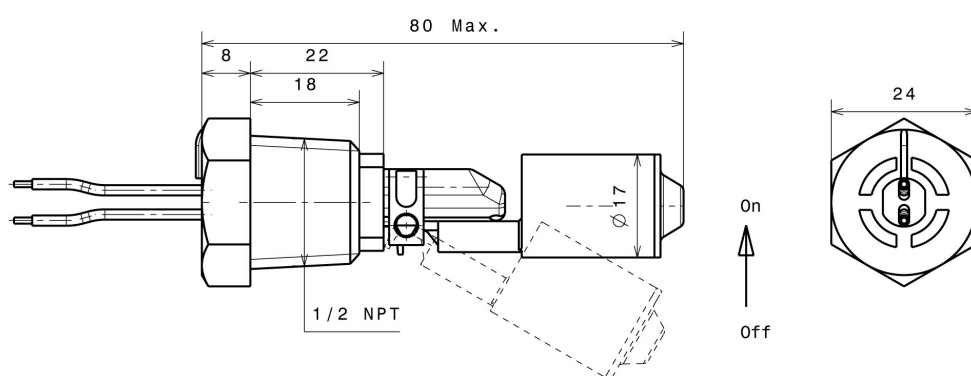
Food



Hydrocarbons

This polyamide or polypropylene level switch is mounted from the outside of the tank using a 1/2 NPT thread.

It allows to detect «high» or «low» levels: float aligned with the body (NC), according to its mounting direction.



General features	DHNOFA5230	DHNOFP5370
Body material	Polyamide	Polypropylene
Float material	Polyamide	Polypropylene
Cable material	PVC	PVC
Cable cross section	0.6 mm ² - 500 mm	0.6 mm ² - 500 mm
Operating temperature (in water)	0 to 80°C	0 to 80°C
Applications	Multi-purpose, Hydrocarbons	Multi-purpose, Food

Electrical features of the contact

Electrical power max.	30 W
Electrical voltage (AC) max.	250 V
Electrical voltage (DC) max.	200 V
Current max.	1 A

Installation instructions

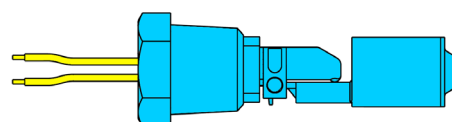
- Mounting from outside the tank
- Screw fixing in a 1/2 NPT thread
- Closed contact when the liquid rises or falls
- Tightening torque: 0,5 to 5 Nm

A tailor-made request?

Our design office and our sales department are able to offer you an optimal solution in answer to your specifications:

material, wire, cable, connector, specific accessory...

Contact us to discuss your project together.



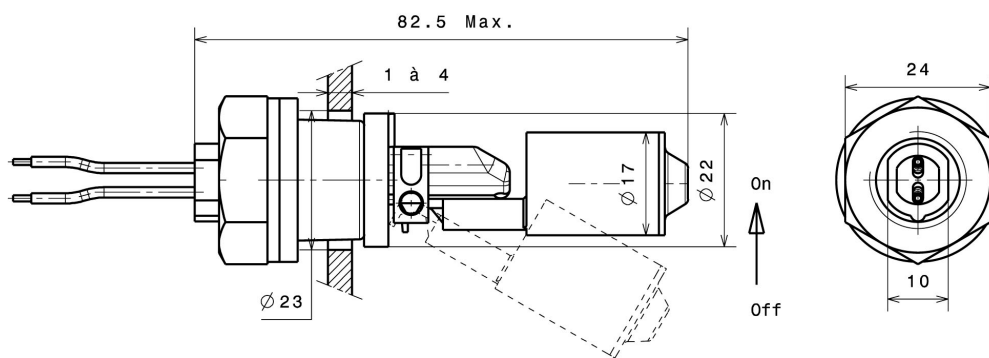


Applications



This level switch is available in polyamide or polypropylene and can be mounted from outside the tank or tank. Its fixing is secured by a compression seal provided.

It allows to detect «high» or «low» levels: float aligned with the body (NC), according to its mounting direction.



General features	DHGEFP2560	DHGNFA2660	DHGSFA5200
Body material	Polypropylene	Polyamide	Polyamide
Float material	Polypropylene	Polyamide	Polyamide
Seal material	EPDM	Nitrile	Silicone
Nut material	Nylon	Nylon	Nylon
Support washer material	Nylon	Nylon	Nylon
Cable material	PVC	PVC	PVC
Cable cross section	0.6 mm ² - 500 mm	0.6 mm ² - 500 mm	0.6 mm ² - 500 mm
Operating temperature (in water)	0 to 80°C	0 to 80°C	0 to 80°C
Applications	Multi-purpose	Multi-purpose, Hydrocarbons	Multi-purpose

Electrical features of the contact

Electrical power max.	30 W
Electrical voltage (AC) max.	250 V
Electrical voltage (DC) max.	200 V
Current max.	1 A

Installation instructions

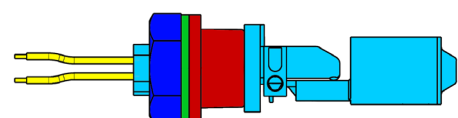
- Mounting from outside the tank
- Fixing by compression of an expansion joint
- Drilling diameter: Ø23 mm
- Wall thickness: 1 to 4 mm
- Closed contact when the liquid rises or falls
- Tightening torque:
 - 0,5 à 3 Nm for EPDM seal
 - 0,8 à 1 Nm for silicone seal
 - 0,5 Nm for nitrile seal

A tailor-made request?

Our design office and our sales department are able to offer you an optimal solution in answer to your specifications:

material, wire, cable, connector, specific accessory...

Contact us to discuss your project together.





Applications



Multi-purpose



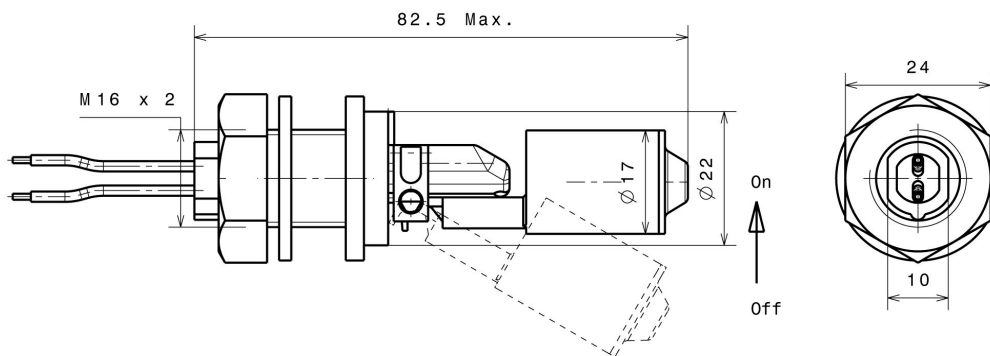
Food



Hydrocarbons

This polyamide level switch is mounted from inside the tank. It is supplied with its accessories for a secure and waterproof fixing.

It allows to detect «high» or «low» levels according to its mounting orientation.



General features	DHMCFA5360
Body material	Polyamide
Float material	Polyamide
Sealed washer material	Rubber GU70
Washer material	Nylon
Cable material	PVC
Cable cross section	0.6 mm ² - 500 mm
Operating temperature (in water)	0 to 80°C
Applications	Multi-purpose

Electrical features of the contact

Electrical power max.	30 W
Electrical voltage (AC) max.	250 V
Electrical voltage (DC) max.	200 V
Current max.	1 A

Installation instructions

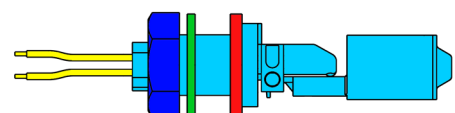
- Mounting from inside the tank
- Fixing by a gasket, a support washer and a nut M16
- Drilling diameter: 17 mm
- Closed contact when the liquid rises or falls
- Tightening torque: 0,5 to 3 Nm

A tailor-made request?

Our design office and our sales department are able to offer you an optimal solution in answer to your specifications:

material, wire, cable, connector, specific accessory...

Contact us to discuss your project together.





Applications



Multi-purpose



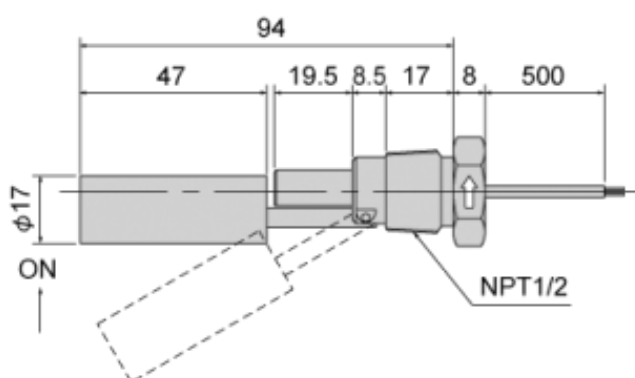
Food



Hydrocarbons

This stainless steel level switch is mounted from the outside of the tank using a 1/2 NPT thread.

It allows to detect «high» or «low» levels according to its mounting orientation.



General features	DXN0FXD080
Body material	Stainless steel
Float material	Stainless steel
Cable material	PVC
Cable cross section	0,34 mm ² - 350 mm
Operating temperature (in water)	-40 to 120°C
Applications	Multi-purpose, food, hydrocarbons

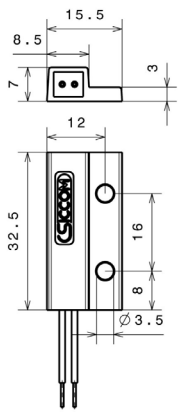
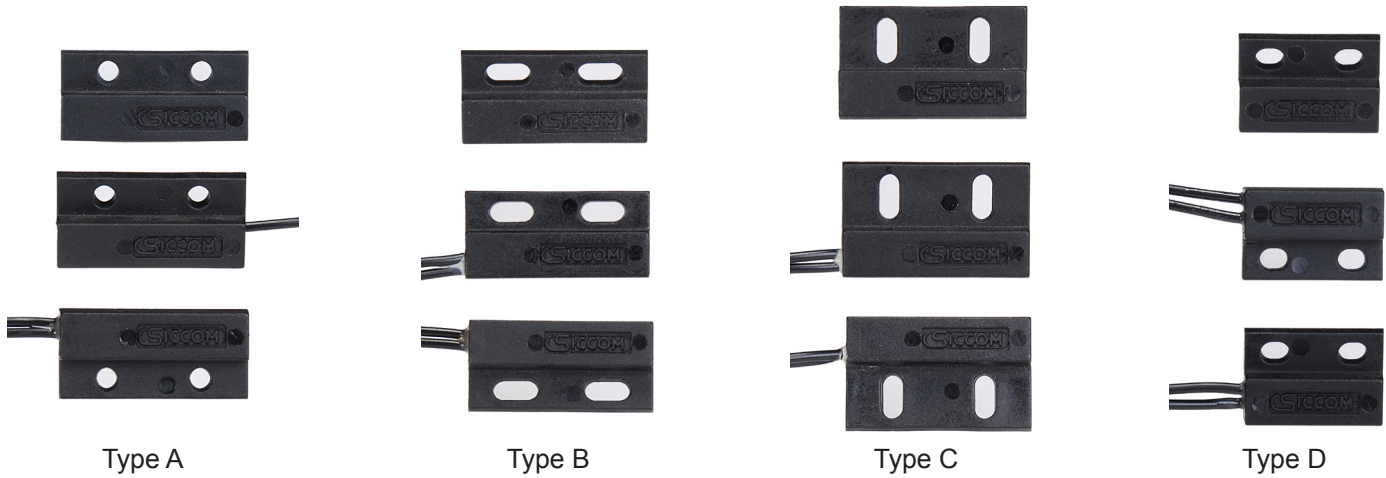
Electrical features of the contact

Electrical power max.	50 W
Electrical voltage (AC) max.	300 V
Electrical voltage (DC) max.	300 V
Current max.	0,5 A

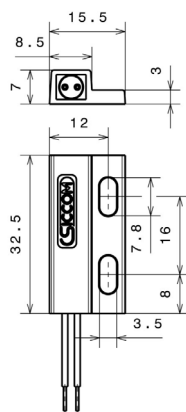
Installation instructions

- Mounting from outside the tank
- Screw fixing in a 1/2 NPT thread
- Closed contact when the liquid rises or falls

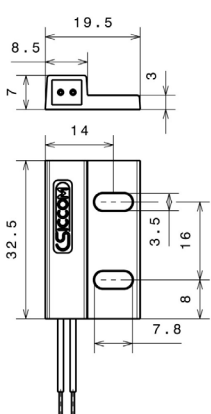
They are used to monitor a movement and activate safety functions by controlling the opening / closing of doors, protective covers and various safety systems.



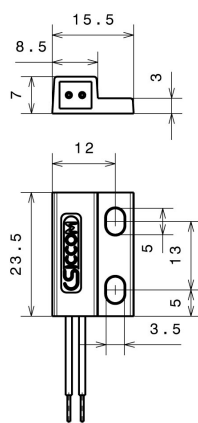
Type A



Type B



Type C



Type D

General features

Body material	Polyamide
Cable material	PVC
Cable cross section	0.6 mm ² - 500 mm
Operating temperature	0 to 80°C
Applications	Multi-purpose

Electrical features of the contact

	Low voltage	Power supply
Electrical power max.	10 W	30 W
Electrical voltage (AC) max.	140 V	250 V
Electrical voltage (DC) max.	200 V	200 V
Current max.	0,5 A	1 A

Installation instructions

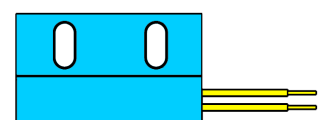
- Screw fixing in holes with different positions
- Symmetrical units
- Variable dimensions

A tailor-made request?

Our design office and our sales department are able to offer you an optimal solution in answer to your specifications:

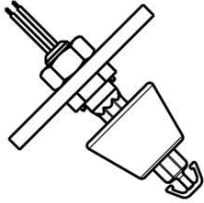
dimensions, holes, wires...

Contact us to discuss your project together.



Mounting recommendations

Vertical sensors

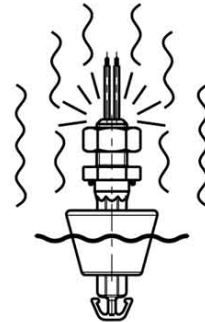


Make sure it is installed in vertical position

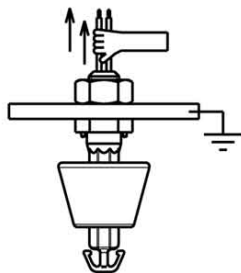


Cable side

No immersion
No humidity
No vapour
No run off allowed
A specific request is otherwise necessary in particular for air-conditioning applications

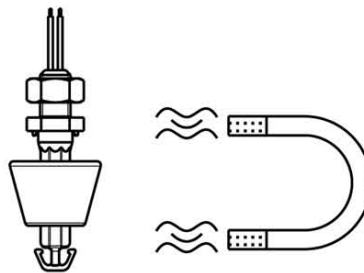


Check the water tightness between the float assembly and the cable assembly

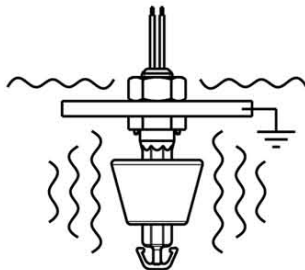


Cable side

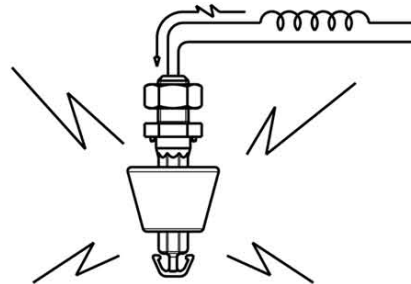
No traction exerted on the wires



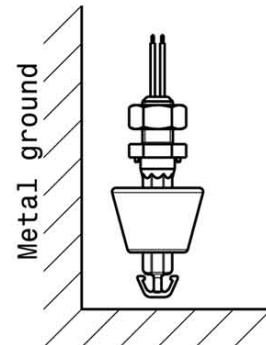
Make sure there is no magnetic field in the vicinity



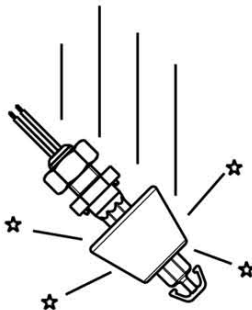
Make sure there are no vibrations in the installation area
A specific request is otherwise necessary



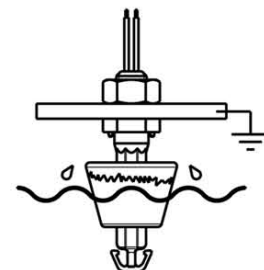
Check the kind of electric load on the contacts
The value indicated on the drawing is for a resistive load only!



Do not install in the vicinity of a magnetic metal ground
Risk of modification or disturbance in the detection



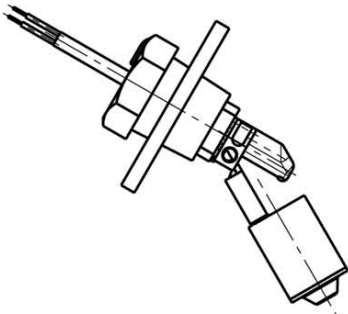
Avoid any shock to the level sensor when stored or when fitted as it may otherwise modify its characteristics



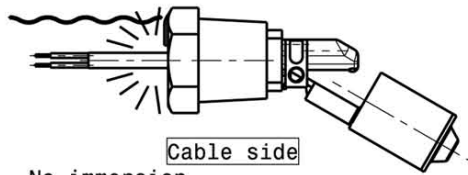
Make sure the chemical character of the liquid used is compatible with the components of the sensor that are immersed, in combination with the operating or peak temperature and the required lifetime

Mounting recommendations

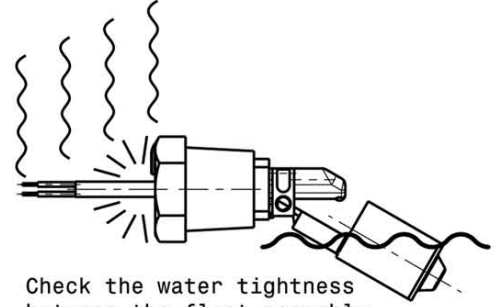
Horizontal sensors



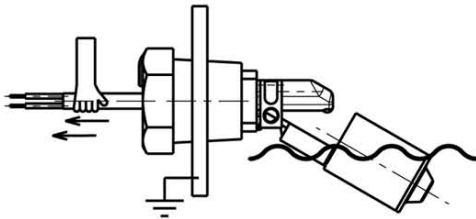
Make sure it is installed in horizontal position



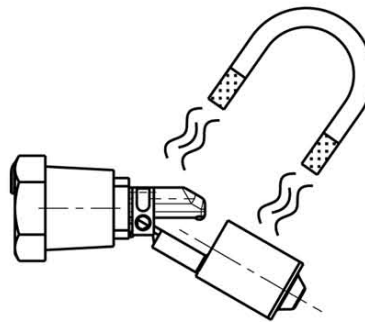
Cable side
No immersion
No humidity
No vapour
No run off allowed
A specific request is otherwise necessary in particular for air-conditioning applications



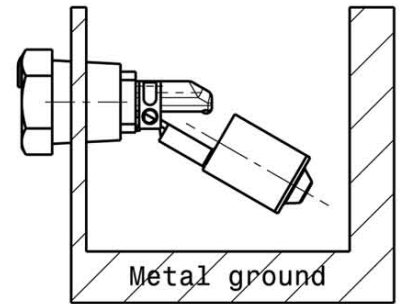
Check the water tightness between the float assembly and the cable assembly



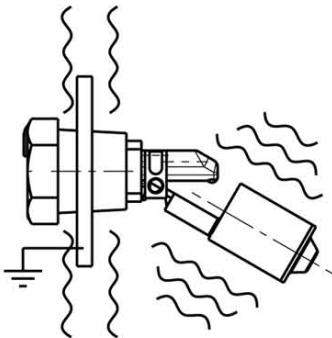
Cable side
No traction exerted on the wires



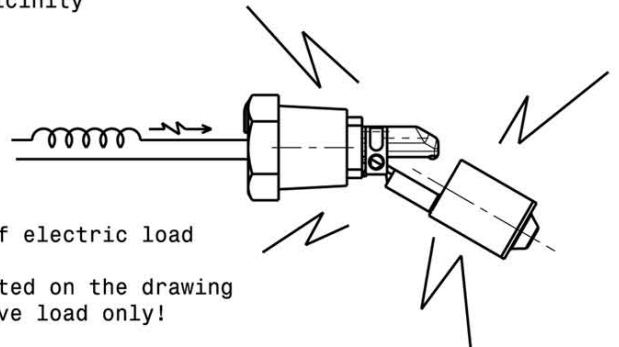
Make sure there is no magnetic field in the vicinity



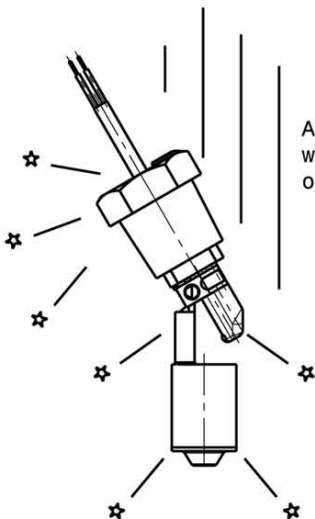
Do not install in the vicinity of a magnetic metal ground
Risk of modification or disturbance in the detection



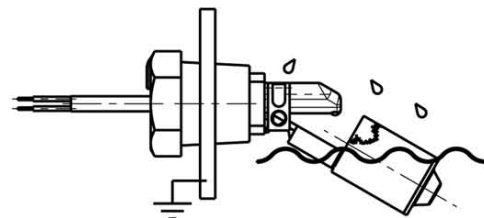
Make sure there are no vibrations in the installation area
A specific request is otherwise necessary



Check the kind of electric load on the contacts
The value indicated on the drawing is for a resistive load only!



Avoid any shock to the level sensor when stored or when fitted as it may otherwise modify its characteristics



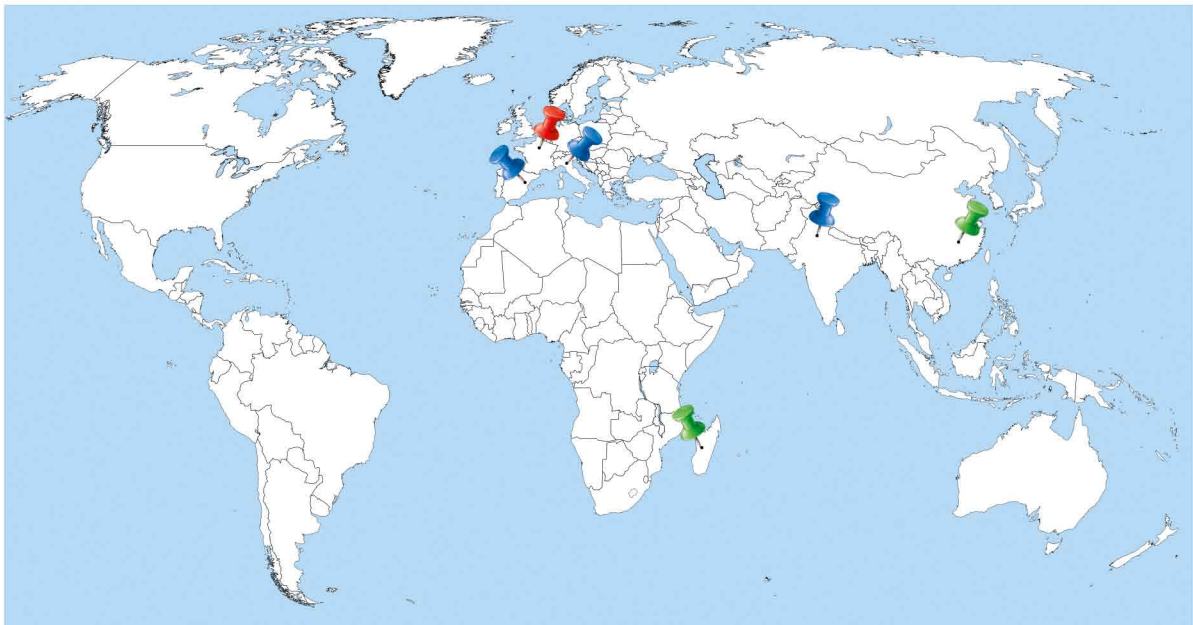
Make sure the chemical character of the liquid used is compatible with the components of the sensor that are immersed, in combination with the operating or peak temperature and the required lifetime

Sensors

SICCOM is established all across the world.
As an international manufacturer, we are committed to product quality and reliability.

Listening, communication and service are the three key values for our customer approach.

We will be delighted to provide further information, so please
CONTACT US.



 Headquarter

 Offices

 Factories

SICCOM France - Headquarter

2, rue Gustave Madiot
ZI Les Bordes
91070 Bondoufle

Tel : +33 1 60 86 81 48 Fax : +33 1 60 86 87 57
Email : commercial@siccom.fr

SICCOM España

Barcelona

Tel : +34 622 487 110
Email : tducasse@siccom.fr

SICCOM India

New Delhi

Tel : +91 99 9900 3240
Email : djagga@siccom.fr

SICCOM Italia

Via San Francesco, 10
21047 Saronno, Varese
Tel/Fax : +39 02 96 36 21 40
Email : siccom_italia@tin.it